

rayLUX 50 FUSION

Adaptive Illumination™

LOW VOLTAGE WHITE-LIGHT

FUSION Adaptive Illumination™ (AI) is a range of high performance White-Light illuminators designed specifically for low voltage installations. The illuminators provide class leading performance, long life and ultra low maintenance. They incorporate Raytec's latest surface mount PLATINUM LED's to deliver excellent night-time pictures with improved optical output and outstanding reliability.

The unique Adaptive Illumination™ concept provides the flexibility to alter the angle of illumination on site to suit specific security needs and to match the camera's field of view. FUSION AI illuminators are also purpose designed to provide even output illumination.

The FUSION AI series has integrated Command and Control™ circuitry. Installation is quick and easy, requiring only a 12-24V DC /24V AC input with no need for a specialist PSU.

Each unit is fitted with Active LED Life Control to carefully control LED output, delivering consistent illumination power and a projected working life of 10 years.

FUSION AI illuminators are supplied complete with bracket. Control features on the FUSION AI include adjustable power output, photocell and photocell adjust. Raylux 50 FUSION AI is suitable for all low light installations up to 40 metres (131ft).



POWERFUL

- Distances up to 40m (131ft)
- **PLATINUM** LED technology
- High power - low running costs

FLEXIBLE

- Adaptive Illumination™
- Various angles (10° to 180°)
- Integrated Fusion PSU with 12-24V DC /24V AC input
- Command and Control technology™

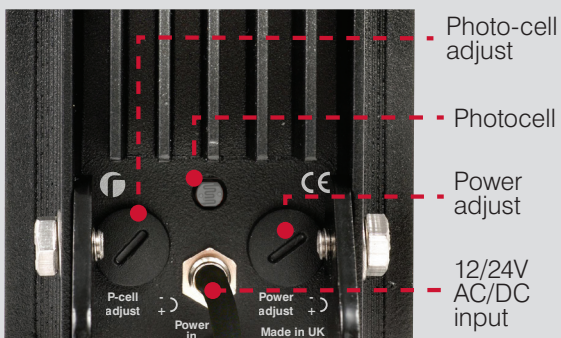
RELIABLE

- 10 year life
- Active LED life control
- Vandal Resistant

CONTROLLED

- Zero Light Pollution
- Even Output Illumination
- Semi-Covert or Covert Options

COMMAND AND CONTROL TECHNOLOGY™



Version 10.9.1

APPLICATIONS



rayTEC[®]



ADAPTIVE ILLUMINATION™

Adaptive Illumination™ allows the installer to adjust the angle of the light projection from a single unit to fit the specific demands of any installation. Adjustment is quick and convenient and any angle up to 180 degrees (depending on model) is easily selectable. Adaptive Illumination is patent pending technology available exclusively from Raytec.



PLATINUM ADVANCED SMT LED TECHNOLOGY

PLATINUM illuminators integrate cutting-edge SMT LED technology, light intensification miniature optics (LIMO) and an enhanced Cool Running™ thermal management system into a single ultra high performance LED. The result is World leading power, reliability and flexibility.



ACTIVE LED LIFE CONTROL

All Raytec illuminators employ cutting edge materials science techniques to improve thermal efficiency throughout the unit and ensure continuity of LED power. The New Advanced Cool Running™ system draws heat away from the LEDs, shielding the LED from abnormal stress, and allows Raytec LED products to deliver outstanding performance and consistency of illumination throughout the operational life of the illuminator.



COMMAND AND CONTROL TECHNOLOGY

Integrated into all Fusion Illuminators, Command and Control technology provides photocell, photocell level adjustment and power adjustment functionality on the actual illuminator. This eliminates the need for a specialist external power supply.



VANDAL RESISTANT


The polycarbonate lens design protects against severe blows from crowbars, baseball bats and can even withstand successive shots from air pistols and rifles (range dependant).



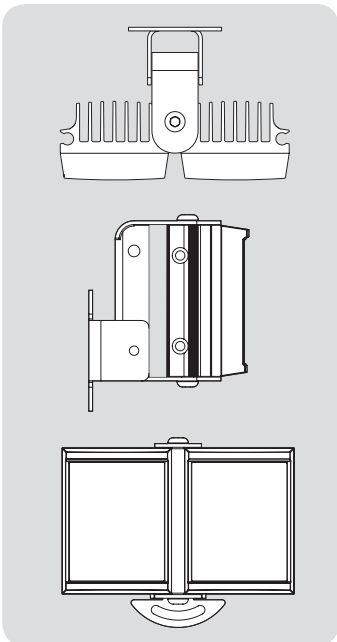
ENERGY SAVING

All Raytec illuminators use high efficiency LED's and advanced control methods to deliver extremely low electrical consumption. Raytec illuminators are energy saving and deliver huge savings in running costs compared to traditional bulb illuminators.

5 YEAR WARRANTY
 All Raytec CCTV illuminators are provided with a 5 year warranty, unmatched anywhere in the CCTV lighting industry. Raytec illuminators provide guaranteed long life!



TECHNICAL SPECIFICATIONS



ILLUMINATOR & INTEGRATED PSU

- Max Distance:* up to 40m (131ft)
- Angle:* Various - See Part Codes
- Optics:* SMT LED's
- Consumption:* 24W max
- Input:* 12-24V DC /24V AC input
- Voltage:* 13.5V current controlled
- Weight:* 1.7kg (3.7lbs)
- Environmental:* IP66
- Temp Range:* -50 to +50°C (-58 to 122°F)
- Cable Length:* 2.5m
- Colour:* Silver
- Wavelength:* White-Light
- Dimensions:* 160 x 115 x 54mm
6" x 4" x 2" approx

BRACKETRY

U Bracket and Adaptive Illumination bracket included.

INTEGRATED COMMAND AND CONTROL TECHNOLOGY

- Inbuilt Photocell for automatic on/off operation
- Inbuilt Photocell level adjust
- Inbuilt power adjust from 10-100%
- Telemetry connection for remote operation

PART CODES & DISTANCES

PART CODES & DISTANCES			NARROW ANGLE	WIDE ANGLE
RL50-F-AI-30	RAYLUX 50, 30-60°	AI, white-light + integrated PSU	40m (131ft)	28m (92ft)
RL50-F-AI-50	RAYLUX 50, 50-100°	AI, white-light + integrated PSU	28m (92ft)	20m (64ft)
RL50-F-AI-120	RAYLUX 50, 120-180°	AI, white-light + integrated PSU	12m (39ft)	8m (28ft)



Europe / Middle East: Tel: +44 (0) 1670 520055
 Americas (Toll Free): Tel: +1 888 505 8335

Email: sales@rayteccctv.com
 Email: ussales@rayteccctv.com
 Web: www.rayteccctv.com