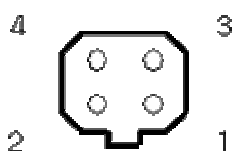
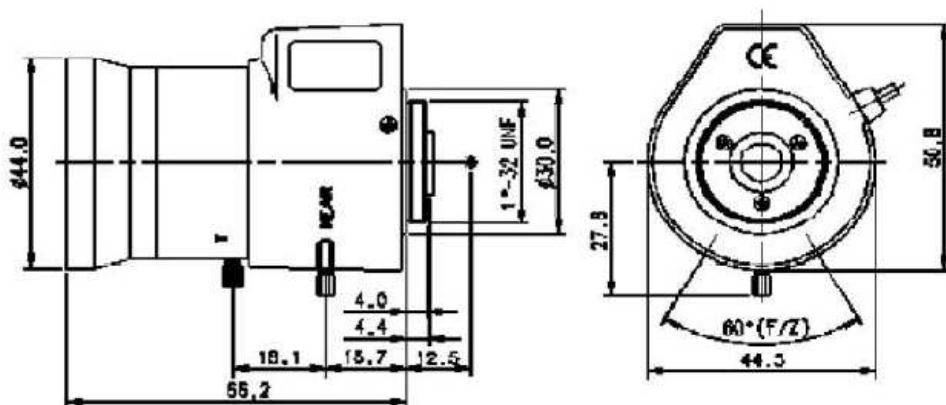


SPECIFICATIONS



TVSD0550IRJ

Model No.		TVSD0550IRJ	
Image Format Cover		1/3" ~ 1/4"	
Focal Length		5.0 ~ 50 mm	
Maximum Aperture Ratio		1 : 1.4	
Zoom Ratio		10.0×	
Iris	Control Method		Direct Drive
	Iris Range		F1.4 ~ 360
	Speed		* * *
	Coil	Drive	* * *
Control		* * *	
Focus	Control Method		Manual
Zoom	Control Method		Manual
Angle Field of View (D×H×V)	1/4"	Wide	49.5° × 39.6° × 29.8°
		Tele	5.4° × 4.3° × 3.2°
	1/3"	Wide	65.7° × 52.7° × 39.6°
		Tele	7.2° × 5.7° × 4.3°
Minimum Object Distance			0.3 m
Back Focal Length			7.6 ~ 11.5 mm
Effective Diameter	Front		φ 37.7 mm
	Rear		φ 10.0 mm
Filter Screw Size			* * *
Mount / Flange Back			* * *
Mechanical Dimension (D×(H)×L)			φ 44.0mm × 50.8mm × 66.2mm
Total Weight			155g
Application Temperature Range			-10°C ~ +50°C (+14°F ~ +122°F)
Comments			Applicable Wavelength : 430 ~ 850nm



1	RED	CONTROL (-)
2	BLACK	CONTROL (+)
3	WHITE	DRIVE (+)
4	GREEN	DRIVE (-)