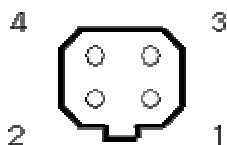
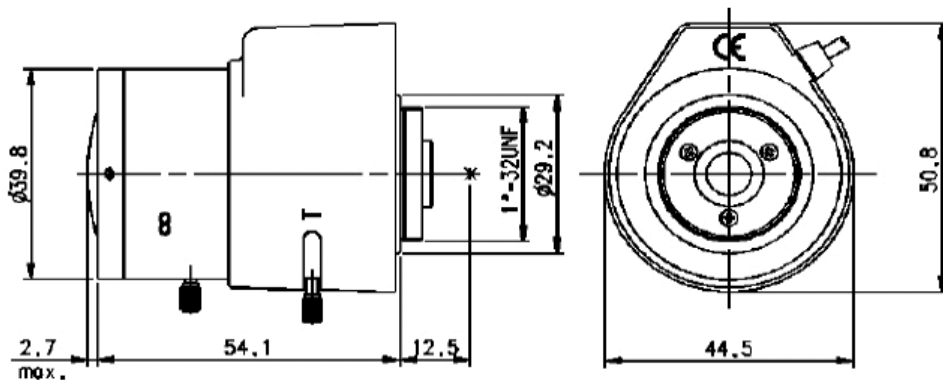


SPECIFICATIONS



		TVSD0308IRJ		
Model No.		TVSD0308IRJ		
Image Format Cover		1/3" ~ 1/4"		
Focal Length		3.0 ~ 8.0 mm		
Maximum Aperture Ratio		1 : 1.2		
Zoom Ratio		2.7 ×		
Iris	Control Method		Direct Drive	
	Iris Range		F1.2 ~ 360	
	Speed		* * *	
	Input Voltage & Current		* * *	
	Sensitivity Adjustment		* * *	
Focus	Control Method		Manual	
Zoom	Control Method		Manual	
Angle Field of View (D×H×V)	1/4"	Wide	78.0° × 63.9° × 48.7°	
		Tele	33.2° × 26.6° × 20.0°	
	1/3"	Wide	97.5° × 82.4° × 63.9°	
		Tele	43.9° × 35.4° × 26.6°	
Minimum Object Distance		0.2 m		
Back Focal Length		7.3 ~ 13.9 mm		
Effective Diameter	Front		φ 27.8 mm	
	Rear		φ 8.5 mm	
Filter Screw Size		* * *		
Mount / Flange Back		CS		
Dimension (D×(H)×L)		φ 39.8mm × 50.8mm × 56.8mm		
Total Weight		85g		
Application Temperature Range		-10°C ~ +50°C (+14°F ~ +122°F)		
Comments		IR Compatible lens		



1	RED	CONTROL (-)
2	BLACK	CONTROL (+)
3	WHITE	DRIVE (+)
4	GREEN	DRIVE (-)