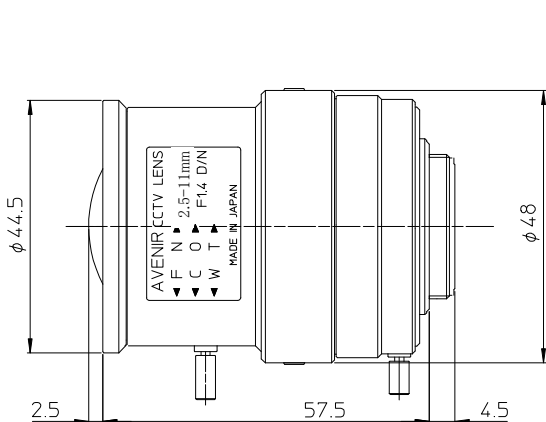


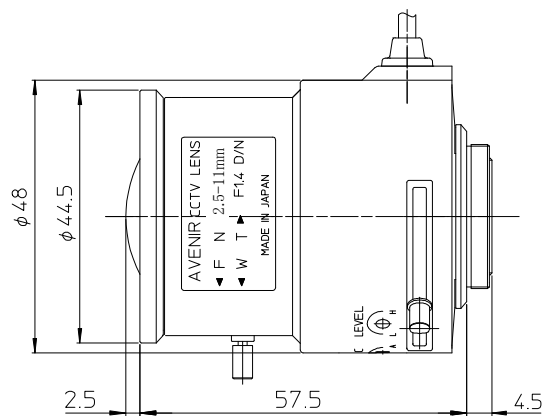
# SPECIFICATIONS



		TVS*2511IR		
Model No.		TVSH2511IR	TVSG2511IR	TVSD2511IRJ
Image Format Cover		1/3" ~ 1/4"		
Focal Length		2.5 ~ 11 mm		
Maximum Aperture Ratio		1 : 1.4		
Zoom Ratio		4.4×		
Iris	Control Method	Manual	Video Drive	Direct Drive
	Iris Range	F1.4 ~ Close	F1.4 ~ 360	
	Speed	* * *	Approx. 1.5 sec	* * *
	Input Voltage & Current	* * *	DC 8 ~ 16V Max. 30mA	* * *
	Sensitivity Adjustment	* * *	0.5 ~ 1.0V <sub>P-P</sub>	* * *
Focus	Control Method	Manual		
Zoom	Control Method	Manual		
Angle Field of View (D×H×V)	1/4"	Wide	99.2° × 79.5° × 59.6°	
		Tele	24.22° × 19.40° × 14.56°	
	1/3"	Wide	130.9° × 105.8° × 79.5°	
		Tele	33.24° × 25.92° × 19.44°	
Minimum Object Distance		0.3 m		
Back Focal Length		9.52 ~ 22.29 mm		
Effective Diameter	Front	φ 26.9 mm		
	Rear	φ 8.3 mm		
Filter Screw Size		* * *		
Mount / Flange Back		CS / 12.5mm		
Mechanical Dimension (D×(H)×L)		φ 48mm × 60mm	φ 48mm × 50.5mm × 60mm	
Total Weight		79.3g	80.9g	77.4g
Application Temperature Range		-10°C ~ +50°C (+14°F ~ +122°F)		
Comments		IR Compatible lens		



< TVSH2511 >



< TVSD2511IRJ • TVSG2511IR >