



# LTC 5136 AutoDome Controller



The LTC 5136 AutoDome Controller provides complete control of the AutoDome system's advanced features, including proportional speed control, auto tour, 99 presets, and full pan/tilt/zoom operation - all from a single one-handed control unit.

## Functions

The LTC 5136 AutoDome Controller is compatible with the standard Allegiant LTC 856x Series Receiver/Drivers, using the Allegiant Bi-Phase control code.

Each of the 16 Bi-Phase control code outputs provided by this control system is capable of transmitting data up to 1.5 km (5000 ft) using 1 mm<sup>2</sup> (18 AWG) shielded twisted pair cable.

Wiring configurations consisting of either 'star' or 'daisy' chain can be used. In a 'star' configuration, a single camera can be connected to each of the 16 outputs. When using 'daisy chain' wiring configurations, where a single data cable is 'looped' through each of the cameras, up to 8 cameras can be connected to an output.

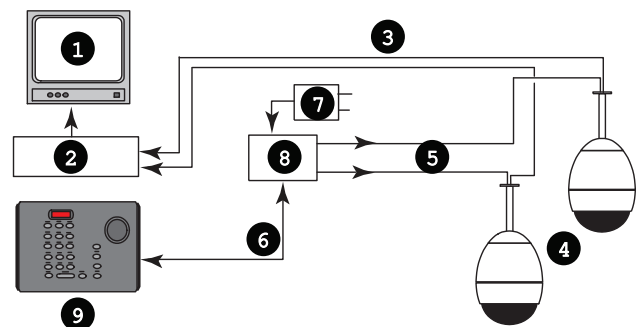
The LTC 5136 AutoDome Controller includes a 22-key control unit with integral vector-solving pan/tilt/zoom joystick, interface box, and an appropriate power supply.

- ▶ Controls a single AutoDome Camera System or Standard Allegiant Receiver/Drivers
- ▶ Up to 16 individual Bi-Phase control code outputs available
- ▶ Controls all AutoDome System features including auto playback
- ▶ Small, compact design
- ▶ Ergonomic layout for single-handed control

## Certifications and Approvals

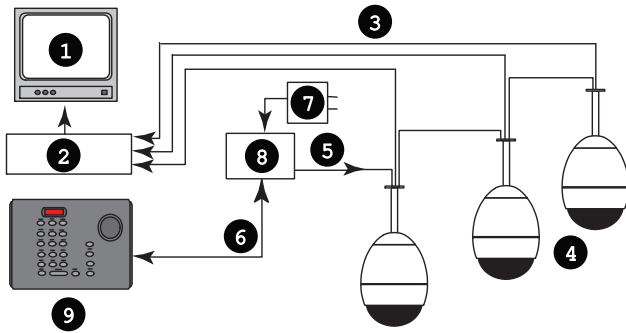
Electromagnetic Compatibility (EMC)	Complies with FCC Part 15, ICES-003, and CE regulations
Product Safety	Complies with CE regulations, UL, CSA, EN, and IEC Standards

## Installation/Configuration Notes



*Typical Installation*

- 1 Video Monitor
- 2 DVR or Video Switcher
- 3 Video Coax Cable
- 4 Typical AutoDome Camera or Allegiant Receiver/Driver Units
- 5 Up to 16 Bi-Phase Control Code Outputs
- 6 RS-232 Data and Power
- 7 Power Supply Adapter (Supplied)
- 8 Data Converter Unit
- 9 AutoDome Controller



Typical Multiple Camera Sites using Daisy Chain Bi-Phase Control Code Wiring Configuration

- 1 Video Monitor
- 2 DVR or Video Switcher
- 3 Video Coax Cable
- 4 Typical AutoDome Cameras or Allegiant Receiver/Driver Units
- 5 Typical Bi-Phase Control Code Output
- 6 RS-232 Data and Power
- 7 Power Supply Adapter (Supplied)
- 8 Data Converter Unit
- 9 AutoDome Controller

## Technical Specifications

### Electrical

Includes Control Unit and Interface Box with applicable power supply.

Model No.	Rated Voltage	Voltage Range	Power at Rated Voltage
LTC 5136/51	230 VAC 50/60 Hz	195.5 to 253	6 W
LTC 5136/61	120 VAC 50/60 Hz	105 to 132	6 W

### Transmission Distance

1.5 km (5000 ft) using 1 mm<sup>2</sup> (18AWG) shielded twisted pair cable (Belden 8760 or equivalent)

### Control Unit

Indicators	Camera/entry data; 4-digit 7-segment LED display
Controls	Set, User, Camera, Shot, On, Off, Enter, Clear, Focus, Iris, 10-Digit Numeric Keypad, Joystick
Connector	RJ-11
Finish	Charcoal
Dimensions (W x D x H)	220 x 155 x 101 mm (8.67 x 6.11 x 4.00 in.)
Weight	0.55 kg (1.2 lb)

### Interface Box

Indicator	Green data LED
<b>Connectors</b>	
Data In	9-pin D connector
Bi-Phase Output	Removable terminal blocks with three connections: "+", "-", and "S" (Shield) for each of the sixteen Bi-Phase code outputs
Control Unit Connection	RJ-11
Control Unit to Interface Box Cable	3 m (10 ft) with RJ-11 connector
Power Connector	Bayonet type
Case	Black plastic with metal mounting flanges
Dimensions - Overall (W x D x H)	154 x 132 x 38 mm (6.08 x 5.25 x 1.5 in.)
Weight	0.132 kg (0.7 lb)

### Environmental

Operating Temperature	0°C to 40°C (32°F to 104°F)
Storage Temperature	-10°C to 50°C (14°F to 122°F)
Humidity	10%–90%, non-condensing

**Ordering Information**

**LTC 5136/51 AutoDome Controller**      **LTC 5136/51**  
with 16 outputs for AutoDomes or for Allegiant  
Receiver/Drivers units, 230 VAC, 50/60 Hz

---

**LTC 5136/61 AutoDome Controller**      **LTC 5136/61**  
with 16 outputs for AutoDomes or for Allegiant  
Receiver/Drivers units, 110 VAC, 50/60 Hz

**Americas:**  
Bosch Security Systems, Inc.  
130 Perinton Parkway  
Fairport, New York, 14450, USA  
Phone: +1 800 289 0096  
Fax: +1 585 223 9180  
security.sales@us.bosch.com  
www.boschsecurity.us

**Europe, Middle East, Africa:**  
Bosch Security Systems B.V.  
P.O. Box 80002  
5600 JB Eindhoven, The Netherlands  
Phone: + 31 40 2577 284  
Fax: +31 40 2577 330  
emea.securitysystems@bosch.com  
www.boschsecurity.com

**Asia-Pacific:**  
Robert Bosch (SEA) Pte Ltd, Security Systems  
11 Bishan Street 21  
Singapore 573943  
Phone: +65 6258 5511  
Fax: +65 6571 2698  
apr.securitysystems@bosch.com  
www.boschsecurity.com

**Represented by**